

WATER - RESISTANCE

39PC 1/2"DR. SOCKET SET

Some company show you the practicality, others show you the variety; A-Kraft shows you the future!

CONTENTS

- 20- Sockets: 8,9,10,11,12,13,14,15,16,17,18,19,20,
21,22, 23, 24 27, 30, 32 mm
- 7- Accessories:
Ratchet KH2400 (48Z), Wobble Extension Bar 125, 250 mm
Spark Plug Sockets 16, 21 mm, Universal Joint, 3 Way
Adaptor (3/8F*1/2M)
- 12- Combination Wrenches:
8,9,10,11,12,13,14,15,16,17,18,19 mm

▶ ITEM NO.: 984039



akt **A-KRAFT TOOLS**

A-KRAFT Tools Manufacturing Co., Ltd.

No. 21-1, Lane 557, Jhongheng Rd., Wufong Township, Taichung County, Taiwan

E-mail: akraft@ms24.hinet.net <http://www.akraft.com.tw> Tel: 886-4-23327908 (REP.) Fax: 886-4-23327918

WATER - RESISTANCE

39PC 1/2"DR. SOCKET SET

Some company show you the practicality, others show you the variety; A-Kraft shows you the future!



7.5 Degree 48 Teeth / Reversible Arc

- Rotation with 7.5 degree (48 teeth gear arc) facilitates work in confined area.



Reversible Lever Switch

- Lever flip design is easy to be switched to reverse ratchet action direction.



Quick Release

- Simply push the release button with one thumb at least effort, users can replace sockets quickly and efficiently.



Ergonomic Design Handle

- Slim and very handfull handle design facilitates using convenience and is not easily slip off from hands. Also, ergonomic design handle provides great comfort while in use!



WATER - RESISTANCE

39PC 1/2"DR. SOCKET SET

Some company show you the practicality, others show you the variety; A-Kraft shows you the future!



Compact Size

- The compact size allows it to work where a ratchet socket will not fit



Great Accessibilities

- Offset at the ring end with an angle 15 degree makes it easy to gain the access to the fastener and to achieve high leverage.



More Fastening and Loosening power

- Each corner provides added torque so that this increases more power to loosen screws with less effort.



Extremely Strong

- Great torque speciality for professional usages in jobsites.



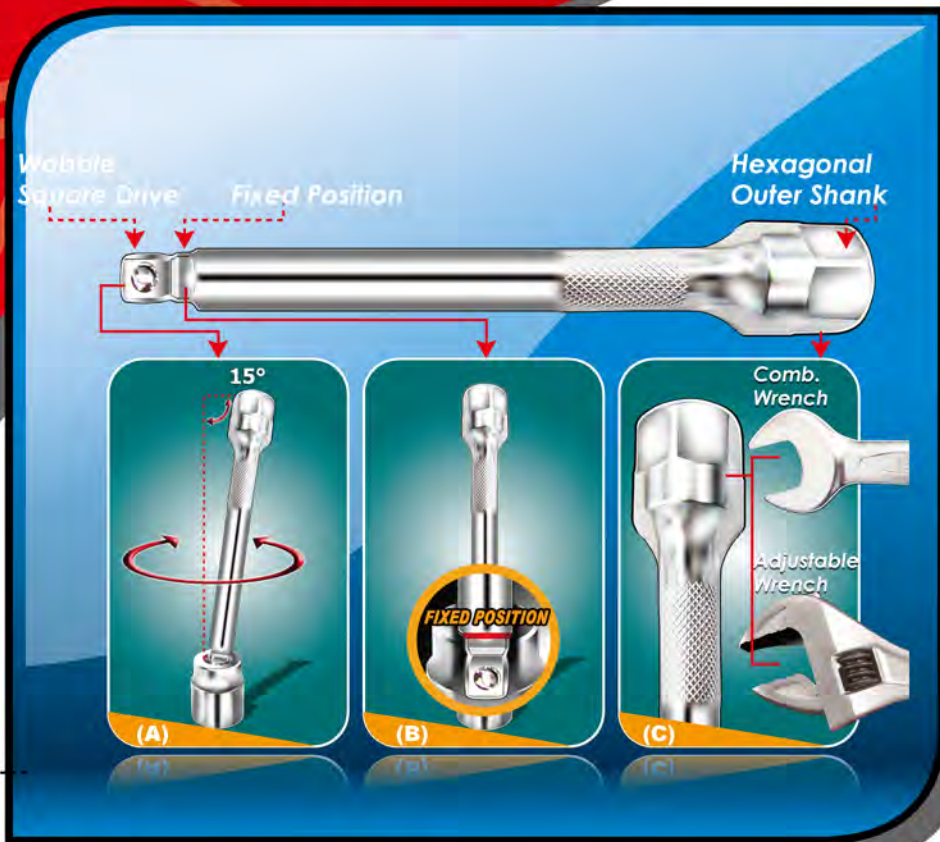
Super Lock Socket Design

- Reduces the fastener rounding by dispersing notches more evenly over the tools and the fastener and gives added torque by radius design.



WATER - RESISTANCE 39PC 1/2"DR. SOCKET SET

Some company show you the practicality, others show you the variety; **A-Kraft shows you the future!**



Wobble Extension Bar

- Wobble extension bar provides multiple functions:
 - Offering 15 degree wobble working arc in confined area.
 - Maximizing the torque in fixed position as that for standard extension.
 - Applying with combination wrench or adjustable wrench in hexagonal outer shank.



3 Way Adaptor

- 3/8" DR. Female X 1/2" DR. Male adaptor is designed to work with 3/8" DR. Ratchets and accessories. And it also can be operated with 1/2"DR. Extension using as Sliding T- Handle.



WATER - RESISTANCE 39PC 1/2"DR. SOCKET SET

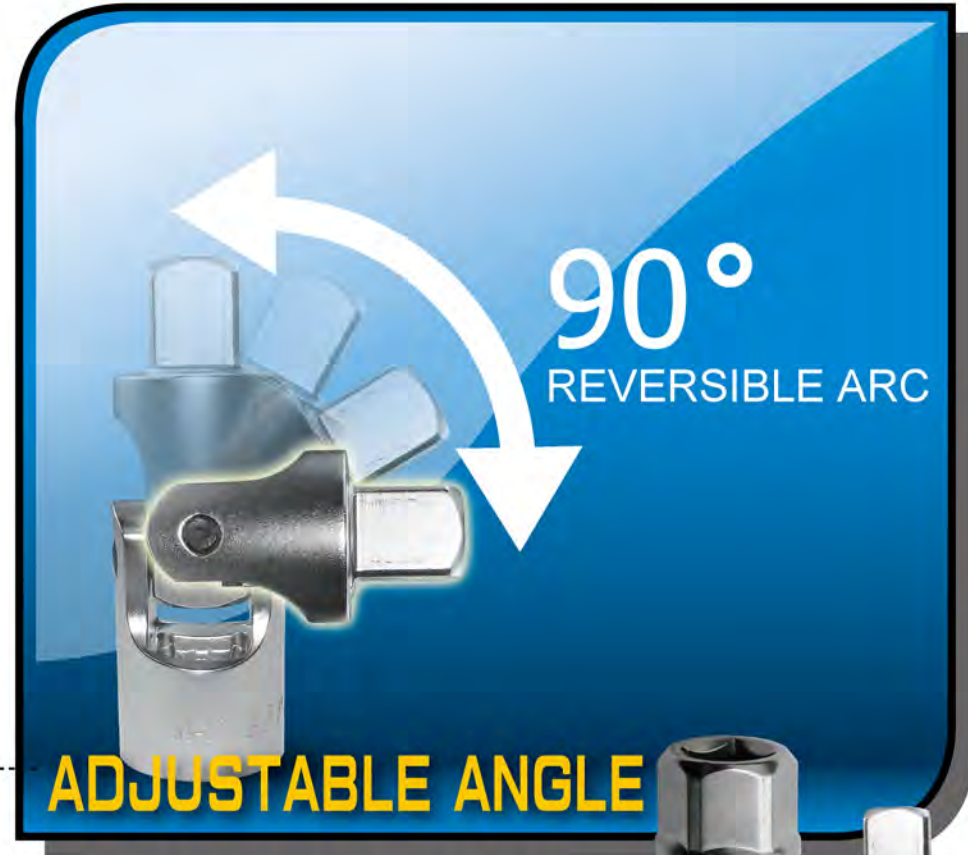
Some company show you the practicality, others show you the variety; A-Kraft shows you the future!



**FOR
SPARK PLUG REPLACEMENT**

Spark Plug Socket

- Oil Resistant Rubber Grip inserted inside the spark plug socket prevents the spark plug from falling off after loosening.



ADJUSTABLE ANGLE

90 Degree Reversible Action Arc

- The Screw type Universal Joint with bending angle in 90 degree allows to access into limited working space.



WATER - RESISTANCE

39PC 1/2"DR. SOCKET SET

Some company show you the practicality, others show you the variety; **A-Kraft shows you the future!**



Water Resistant



Clearly Viewable
Dual-Color Design



Secure Design



Slip-Resistant
Feet Design



>> Revolutionary Dual-color Blow Mold Tool Case

Water-Resistance

- With water-resistant gasket design, this provides longer period of time preventing from water penetration

Dual-Color Blow Mold Case

- Great-looking of DUAL-COLOR BLOW MOLD CASE is definitely your perfect choice with fabulous characteristics of stylish design, long-lasting durability and practicability!



WATER - RESISTANCE

39PC 1/2"DR. SOCKET SET

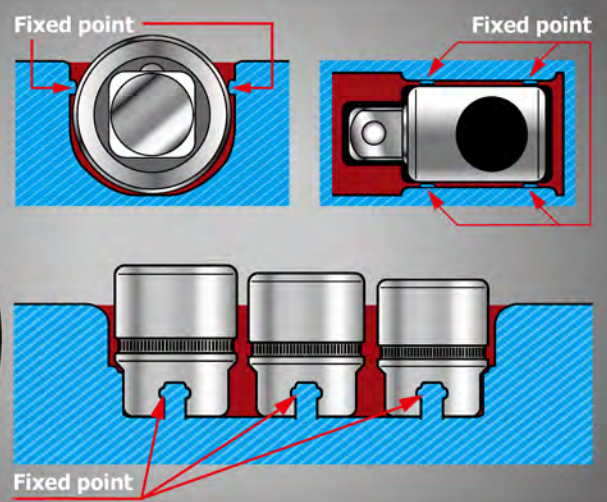
Some company show you the practicality, others show you the variety; A-Kraft shows you the future!



Tools Fall-Free Protection
Secure tools placement design provides great holds for tools so that they will remain firmly-placed in case of opening upside down.



FALL-FREE TOOLS SECURE PLACEMENT DESIGN



>> Great Tools-grasping Power Prevents Parts from Falling !

