

# A-PRO SERIES

*Shaping the Future of Socket Sets*





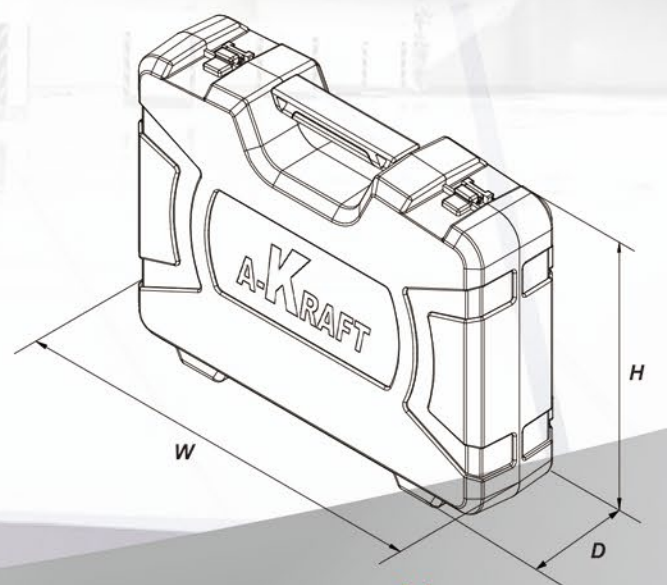
# Case Features

# Perfect Comprehensive Sizes

★ The innovative designs bring a new life to the blow mould case, and the enhancement in texture impresses all. We believe, A-PRO Series will indulge every single user.



Size	W	x	H	x	D	mm
<b>A</b>	300	x	190	x	60	mm
<b>B</b>	360	x	260	x	75	mm
<b>C</b>	400	x	290	x	100	mm
<b>D</b>	550	x	380	x	110	mm



**MORE** sizes are coming soon!!



# Smart Structure for Opening

# Desirable Design for Case



## >> Position of Handle

The handle on the top of case is specially designed to facilitate users' operation under every circumstance. Users are still able to open the case easily even though tools are placed on the top.

Additionally, tools do not fall off despite the fact that the case is in upside down position because the special design makes the case less likely to be opened.

## >> One-Touch Operation Metal Lock

A new structure of metal lock with spring latch leads to easy opening and closing just by One-Touch operation. It boosts efficiency and durability because the lock is made of metal.



## >> Brilliant Streak Surface

A-PRO Series gives consideration of desirability and practicality. The entire case is covered with the specific texture, which is crafted for non-slip function and chic look.



## >> Unique Pattern on Top and Bottom

The special modeling of A-PRO Series enables two cases to overlap tightly without dropping or moving. Besides, it serves as an appealing decoration for the case.

## >> Foam Tray Control System

3D created foam tray perfectly suits a full range of products. Besides, it also provides great organization for tools and ensures an excellent fit. All in all, these functional features enhance the value of product.

More than 20 types of foam material and various colours are available for selection.





# A-PRO Selection

## 1/4" DR. SOCKET SET

SIZE: A 300 x 190 x 60 mm

61  
PC

1/4"



### Contents:

- 13- Sockets: 4, 4.5, 5, 5.5, 6, 7, 8, 9, 10, 11, 12, 13, 14 mm.
- 10- Deep sockets: 4, 5, 6, 7, 8, 9, 10, 11, 12, 13 mm.
- 6- Accessories: Ratchet R2200, Extension bars: 50, 100 mm, Universal joint, Spinner handle, Sliding T-handle.
- 32PC Bits Box: (1/4" x 25 mm)
- 30- Bits: TTX- T-9, 10, 15, 20, 25, 27, 30, 40. FD- 3.5, 4.5, 5.5, 6.5, 8 mm. HW- 2, 3, 4, 5, 6, 7, 8 mm. PZ- #1, 2, 2, 3. PH- #1, 2, 2, 3. Square Type- R1, R2.
- 1- Magnetic bit holder.
- 1- Coupler for bits.

## 1/2" DR. SOCKET SET

SIZE: B 360 x 260 x 75 mm

24  
PC

1/2"



### Contents:

- 17- Sockets: 8, 9, 10, 11, 12, 13, 14, 15, 16, 17, 18, 19, 22, 24, 27, 30, 32 mm.
- 2- Spark plug socket: 16, 21 mm.
- 5- Accessories: Ratchet R2200, Extension bars: 125, 250 mm, Universal joint, 3/8" DR. Female x 1/2" DR. Male adaptor (3 ways).

## 1/4"+1/2" DR. SOCKET SET

SIZE: C 400 x 290 x 100 mm

99  
PC

1/4"

1/2"



### Contents:

- 13- Sockets: 4, 4.5, 5, 5.5, 6, 7, 8, 9, 10, 11, 12, 13, 14 mm.
- 5- E-type sockets: E4, E5, E6, E7, E8.
- 6- Accessories: Ratchet R2200, Extension bars: 50, 100 mm, Sliding T-handle, Spinner handle, Universal joint.
- 1/2" DR: 18- Sockets: 10, 11, 12, 13, 14, 15, 16, 17, 18, 19, 20, 21, 22, 23, 24, 27, 30, 32 mm. 8- E-type sockets: E10, E11, E12, E14, E16, E18, E20, E24.
- 3- Spark plug sockets: 16, 18, 21 mm.
- 5- Accessories: Ratchet R2200, Extension bars: 125, 250 mm, Universal joint, 3/8" DR. Female x 1/2" DR. Male adaptor (3 ways).
- 9- Combination wrenches: 8, 10, 11, 12, 13, 14, 15, 17, 19 mm.
- 32PC Bits Box: (1/4" x 25 mm)
- 30- Bits: TTX- T-9, 10, 15, 20, 25, 27, 30, 40. FD- 3.5, 4.5, 5.5, 6.5, 8 mm. HW- 2, 3, 4, 5, 6, 7, 8 mm. PZ- #1, 2, 2, 3. PH- #1, 2, 2, 3. Square type- R1, R2.
- 1- Magnetic bit holder.
- 1- Coupler for bits.

## 1/4"+3/8"+1/2" DR. SOCKET SET

SIZE: D 550 x 380 x 110 mm

193  
PC

1/4"

3/8"

1/2"



### Contents:

- 1/4" DR: 12- Sockets: 4, 4.5, 5, 5.5, 6, 7, 8, 9, 10, 11, 12, 13 mm. 10- Deep sockets: 4, 5, 6, 7, 8, 9, 10, 11, 12, 13 mm. 6- E-type sockets: E4, E5, E6, E7, E8, E10.
- 6- Accessories: Ratchet R2200, Extension bar 100 mm, Universal joint, spinner handle, Sliding T-handle. Flex extension bar 150 mm.
- 3/8" DR: 6- Sockets: 14, 15, 16, 17, 18, 19 mm. 12- E-type sockets: E4, E5, E6, E7, E8, E10, E11, E12, E14, E16, E18, E20. 4- Accessories: Ratchet R2200, Extension bar 75mm, Universal joint, Adaptor 3/8" DR. Female x 1/4" Male.
- 1/2" DR: 11- Sockets: 20, 21, 22, 23, 24, 25, 26, 27, 28, 30, 32 mm. 9- E-type sockets: E10, E11, E12, E14, E16, E18, E20, E22, E24. 4- Spark plug sockets: 14, 16, 18, 21 mm. 5- Accessories: Ratchet R2200, Extension bar: 125, 250 mm, Universal joint, Adaptor 1/2" DR. Female x 3/8" Male.
- 13- Combination wrenches: 5.5, 6, 7, 8, 9, 10, 11, 12, 13, 14, 15, 17, 19 mm.
- 6- E-type wrenches: 6x8, 7x11, 10x12, 14x18, 16x22, 20x24 mm.
- 4- Double flexible socket wrenches: 8x9, 10x11, 12x13, 14x15 mm.
- 85- PC Bits Box : (1/4" x 25 mm)
- 84- Bits : TX- T10x2, 15x2, 20x2, 25x2, 27x2, 30x2, 40x2. TTX- T-10, 15, 20, 25, 27, 30, 40. FD- 4x4, 6x3 mm. HW- 4x7, 5x7, 6x7 mm. PZ- #1x7, 2x7, 3x3. PH- #1x7, 2x7, 3x4. 1- Magnetic bit holder.

## 3/4" DR. SOCKET SET

SIZE: D 550 x 380 x 110 mm

20  
PC

3/4"



### Contents:

- 16- Socket: 19, 21, 22, 23, 24, 26, 27, 29, 30, 32, 33, 36, 38, 41, 46, 50 mm.
- 4- Accessories: Ratchet KH3000, Extension bar: 100, 200 mm, Sliding T-handle.



www.akraft.com.tw

# One Stop, All Services

*You can trust A-Kraft, we Deliver!!*



**A-KRAFT Tools Manufacturing Co., Ltd.**

No.21-1, Ln. 557, Zhongzheng Rd., Wufeng Dist., Taichung City 41359, Taiwan (R.O.C.)

Tel: 886 4 2332 7908(Rep.) Fax: 886 4 2332 7918

E-mail : info@akraft.com.tw Web site : www.akraft.com.tw

